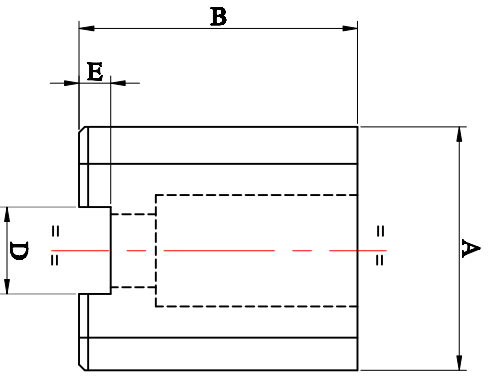
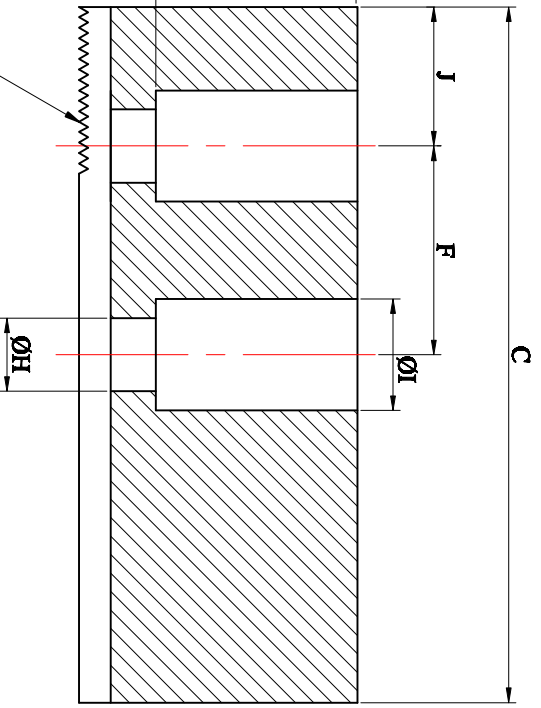
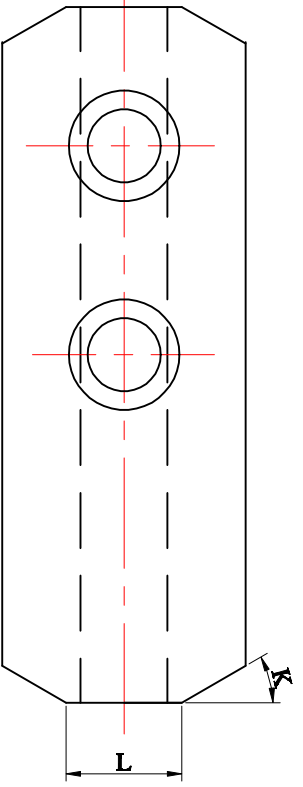


REF. NO.	REVISIONS	APPD. DATE	SIGN



A	
B	
C	
D.H7	
E	
F	
G	
H	
I	
J	
K	
L	
SERRATION	1/16" OR 1.5x60°

NOTE:
 • ALL THE DIMENSIONS ARE IN "MM".
 • REMOVE ALL SHARP CORNERS.
 • IN CASE OF DOUBT PLEASE ASK.

ROUGH MACHINING
 FINE MACHINING
 GRINDING
 LAPPING

Ref Dwg No :

General Tolerances where not specified	CAD/DRAWN
Dimensions(MM)	CHECKED
UP TP 6	APPROVED
6 TO 30	SCALE :
30 TO 120	PROJECTION
120 TO 315	
315 TO 1000	
1000 TO 2000	

TOLERANCES	±0.05
SCALE	±0.1
PROJECTION	±0.15
	±0.2
	±0.3
	±0.5

PART NAME :
SOFT JAW

THE JAW'S
MFG. CO.

DRAWING NO.