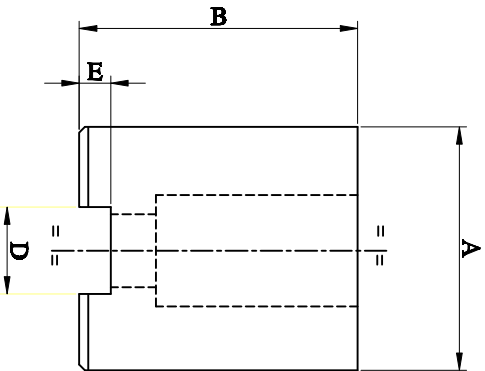
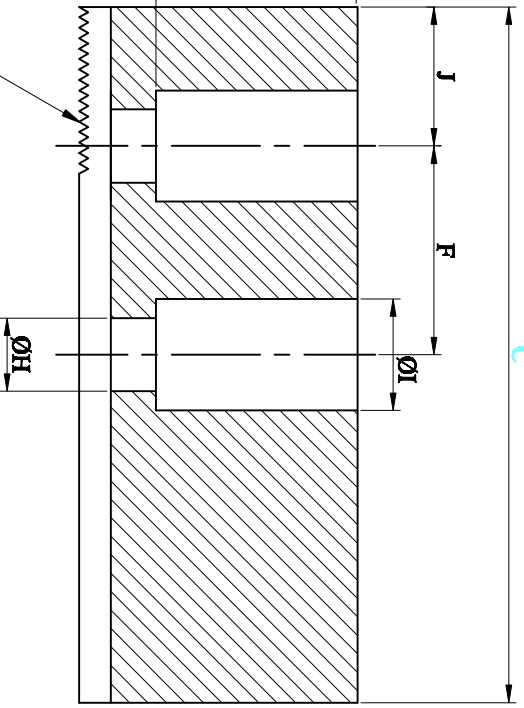
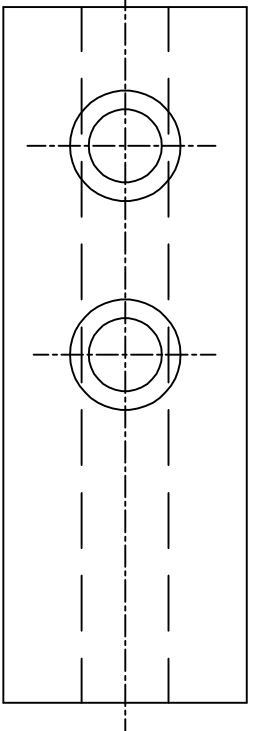


REF. NO.	REVISIONS	APPD. DATE	SIGN



A	
B	
C	
D.H7	
E	
F	
G	
H	
I	
J	
SERRATION	1/16" OR 1.5x60°

NOTE:
 • ALL THE DIMENSIONS ARE IN "MM".
 • REMOVE ALL SHARP CORNERS.
 • IN CASE OF DOUBT PLEASE ASK.

ROUGH MACHINING
 FINE MACHINING
 GRINDING
 LAPPING

Ref Dwg No :

General Tolerances where not specified	CAD/DRAWN
Checked	
Dimensions(MM)	Tolerances
UP TP 6	±0.05
6 TO 30	±0.1
30 TO 120	±0.15
120 TO 315	±0.2
315 TO 1000	±0.3
1000 TO 2000	±0.5

CHECKED	APPROVED	SCALE :	PROJECTION
PART NAME :	SOFT JAW		

THE JAW'S MFG. CO.
 DRAWING NO.